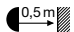


► Wechsel des Leuchtmittels

Achtung: Die Sicherung des Deckenauslasses ausschalten und die Lampe vollständig abkühlen lassen!

► Technische Daten

230/125 Volt. Leuchtmittel: Halolux Ceram 250 Watt, matt, Sockel E27 (Empfehlung: Osram).

 Der Mindestabstand zu angestrahlten Flächen beträgt 0,5 m.

Eventuell notwendige Reparaturen dürfen nur von einer Elektrofachkraft durchgeführt werden.

The lamp assembly and electrical installation must be carried out by a qualified electrician.

Caution: Remove or switch off the fuse for the ceiling outlet before beginning the assembly procedure!

Important: Take care to ascertain the exact position of the mains cable, so as to avoid drilling into it!

► Assembly

Unfasten the two screws on the cover (1) and detach it from the ceiling fixture (2). Drill the two 6 mm holes, insert the S6 plugs (3), and attach the ceiling fixture with the screws (4) provided. Remove an 8 cm section of the outer covering from the mains cable (5), then strip about 5 mm from the ends of the three leads (plus, minus and earth). Loosen the white plastic retaining clamp (6) on the lamp connection cable and shorten the cable to the required length, so that it hangs in a loose arc. Tighten the retaining clamp. Carefully remove about 4 cm of the silver-coloured protective mesh from the cable (7). ①

Important: The end of the protective mesh must be wrapped with insulating tape so that no stray threads are left which may become trapped in the terminal block and interfere with the electrical connection.

Strip about 2 cm of the plastic covering from the cable, taking care not to damage the insulation of the three leads inside. Then strip about 5 mm from the end of each lead and fit the protective metal sleeves, using a crimping tool to fix the sleeves in position. ①

Attach the plus and minus leads to the appropriate contacts in the terminal block (8) and screw the earth lead into position with the earth screw (9). Replace the cover on the ceiling fixture and screw firmly into place. ②

Use the Allen key provided to loosen the grub screw (10) on the counterweight (11). Thread the steel suspension

cable (12) through the aperture in the counterweight, adjust the height as required and arrest the cable by tightening the grub screw. ③

Caution: Do not trim off excess cable before completing the assembly, as you may need to make further adjustments!

Slide the cylindrical metal cage (13) upwards with one hand. With the other hand, carefully slide the glass cylinder (14) up over the wire hanger and into the cage. Hold the cage and glass cylinder in this position and insert the reflector (15), allowing the three hooks (16) to snap into place in the slits on the outer surface of the reflector. Allow the glass cylinder to slide down so that it sits securely on the rim of the reflector. ④

Important: Ensure that the metal cage and glass cylinder are securely gripped by all three hooks!

Screw the 250 W bulb into the socket. ④
Attach the pre-assembled wire rods (17), arranging them as you wish, by pushing them through the mesh in the upper section of the cage. Fix the rods in position with the silicone stoppers (18) provided. ⑤

The narrow holes in the metal ring (19) above the cage are also designed to accommodate between 3 and 5 of the rods. However, these rods should never be inserted to a length of more than 10 cm. For rods pointing downwards at a very sharp angle, please use the silicone stoppers (18) provided. A set of spare plastic sleeves for the rods is supplied with the lamp. Please note that the sleeves (20) add about 0.5 – 1 cm to the length of the rod. ⑤

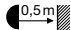
The final look of the lamp is a matter of personal choice. Messages or poems can be written on the blank sheets, using felt-tip pen, pencil, ink, or ballpoint. Make your own selection of pre-printed and/or hand-written sheets, and attach them to the moveable paper clips (21) on the rods. ⑥

► Changing the bulb

Caution: Switch off or remove the fuse for the ceiling outlet and allow the lamp to cool down completely.

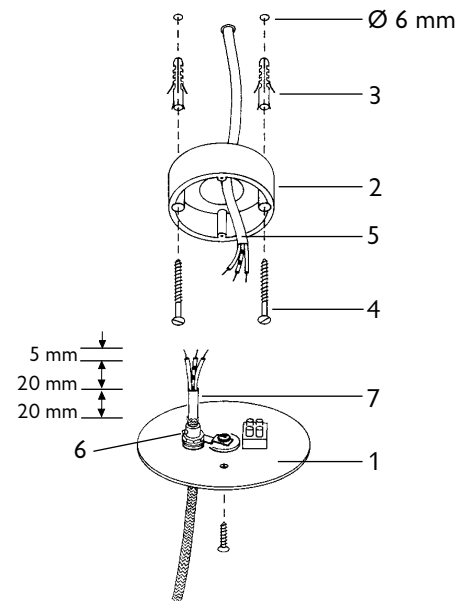
► Technical specification

230/125 volts. Bulb: Halolux Ceram 250 watts, frosted, E27 socket (recommended: Osram).

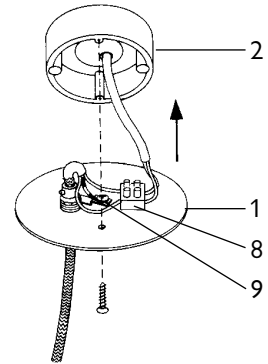
 Minimum distance from any lit surface: 50 cm.

Any repairs that may become necessary must be carried out by a qualified electrician.

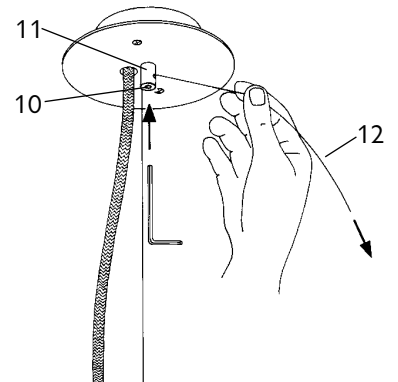
①



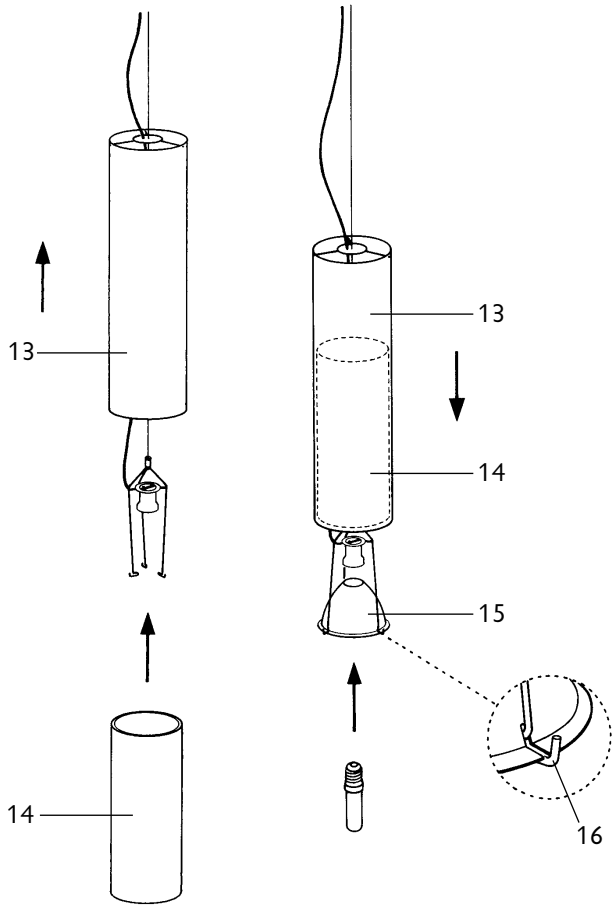
②



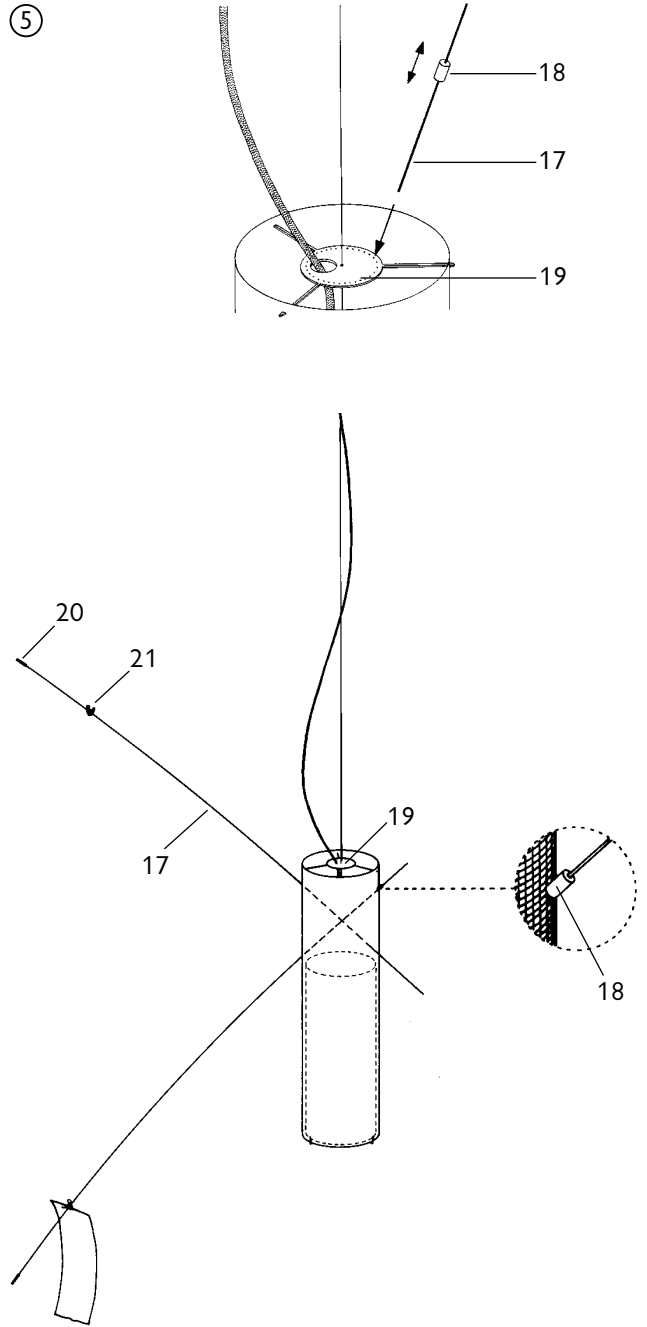
③



④



⑤



⑥

