



BRERA F 1/2/3

DESIGN | ACHILLE CASTIGLIONI 1992

Floor lamp available in three heights, utilizing an opal white glass diffuser. Stem and base are baked anthracite gray enamel or chrome plated.

H | 52.8 in.(1) 70.1 in.(2) 77.6 in.(3)

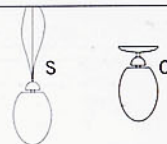
Ø | 7.8 in. (Base)

📦 | 24 lbs.(1) 26 lbs.(2) 28 lbs.(3)








F | Anthracite gray, Polished Chrome







💡 | 100W Opal A-19 or

🔑 | OSRAM 23W Dulux EL.





BRERA S			
DESIGN	ACHILLE CASTIGLIONI 1992		
Suspension lamp providing diffused light. Opal white glass diffuser is suspended by a steel cable and powered by two supply cords. Ceiling rose is white.			
H	192 in. 11 in. (Diff.)	Ø	5.9 in. (Diff.) 4.8 in. (Ceiling Rose)
	5 lbs.		
	100W Opal A19 or		
	OSRAM 23 Delux EL		
Awards	MOMA Collection Roscoe Award		
			
			
			

BRERA C			
DESIGN	ACHILLE CASTIGLIONI 1992		
Surface mount ceiling fixture providing diffused light. White blown glass diffuser.			
H	12.6 in. 11 in. (Diffuser)	Ø	6.5 in. (Diffuser) 7.8 in. (Ceiling rose)
	6 lbs.		
Ceiling rose	Anthracite White Chrome		
 	100W Opal A-19 or Osram 23W Dulux EL		
 			
			



www.unicalighting.com
1-888-89-UNICA