


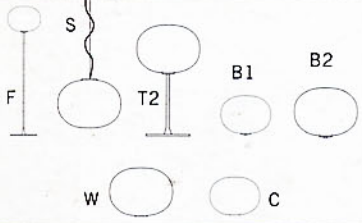



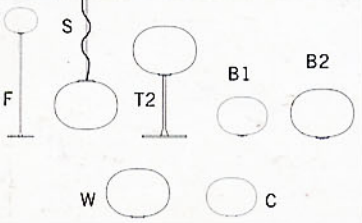

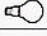
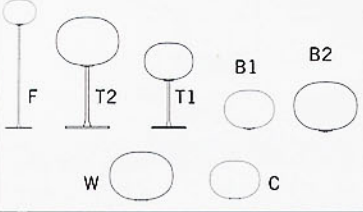



<b>GLO-BALL T1</b>	
<b>DESIGN</b>	<b>JASPER MORRISON 1998</b>
Table/desk lamp with blown white glass diffuser supported by a silver stem and base. On/off dimmer. 10 ft. cord/plug.	
<b>H 26.6 in.</b>	<b>Ø 12.9 in.(Diffuser)</b> <b>Ø 9.4 in.(Base)</b>
	<b>13.3 lbs.</b>
	<b>1x150W T10 HAL (included)</b> 
	


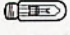



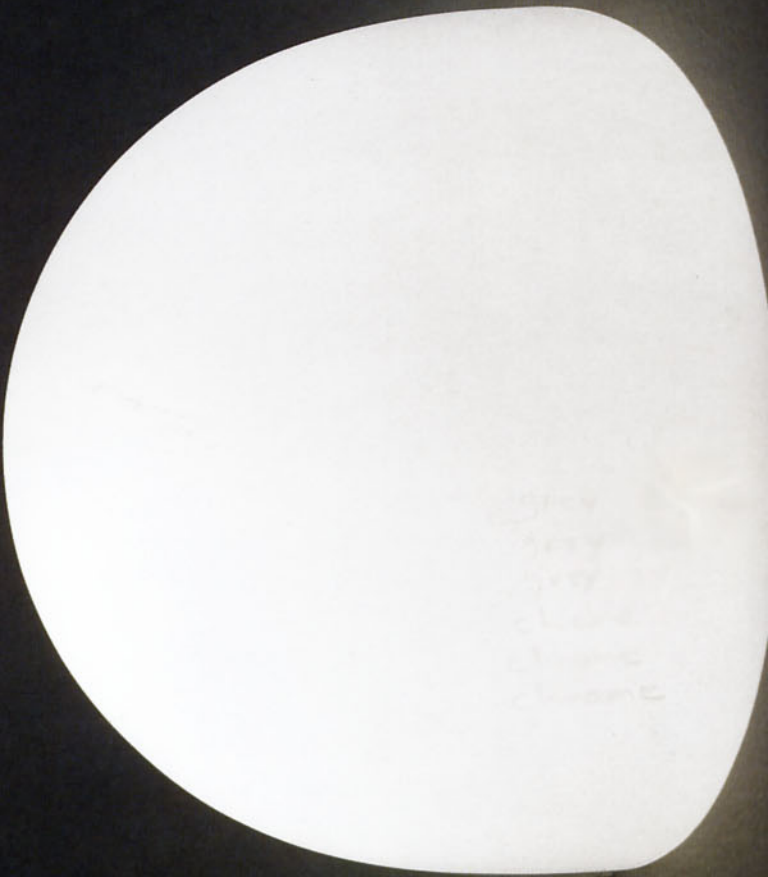
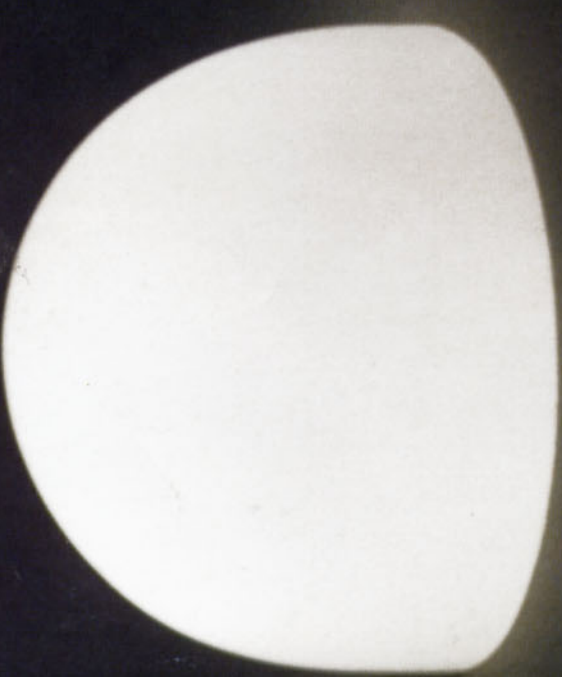
<b>GLO-BALL T2</b>	
<b>DESIGN</b>	<b>JASPER MORRISON 1998</b>
Table/desk lamp with blown white glass diffuser supported by a silver stem and base. On/off dimmer. 10 ft. cord/plug.	
<b>H 31.5 in.</b>	<b>Ø 17.7 in.(Diffuser)</b> <b>Ø 13.0 in.(Base)</b>
	<b>31.0 lbs.</b>
	<b>1x250W T10 HAL (included)</b> 
	



<b>GLO-BALL S</b>			
<b>DESIGN</b>	JASPER MORRISON 1998		
Ceiling mounted fixture providing diffused light. Blown white glass diffuser supported by a thermo-plastic ceiling rose.			
<b>H</b>	13.8 in.	<b>Ø</b>	17,7 in. (Diffuser)
<b>max L</b>	116 in.	<b>Ø</b>	5.1 in. (Ceiling rose)
	14 lbs.		
	1x 150W Opal A-23		
			
			



<b>GLO-BALL C1/C2</b>	
<b>DESIGN</b>	JASPER MORRISON 1999
Ceiling mounted fixture providing diffused light. Blown white glass diffuser supported by a threaded thermoplastic ceiling rose.	
<b>H</b>	(C1) 10.6 in. (C2) 14.2 in.
<b>Ø</b>	(C1) 12.9 in. (Diffuser) (C1) 4.7 in. (Rose) (C2) 17.7 in. (Diffuser) (C2) 5.7 in. (Rose)
	(C1) 5.7 lbs. (C2) 13.2 lbs.
<b>F</b>	White glass
	C1: 1x100W T10 HAL (Included) C2: 1x150W T10 HAL (Included)
	



## GLO-BALL W


DESIGN JASPER MORRISON 1999

Wall mounted fixture providing diffused light. Blown white glass diffuser supported by a steel backplate.

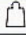


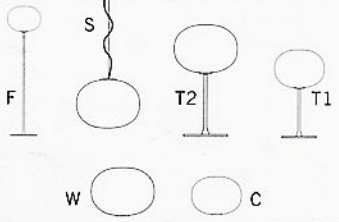
H 10.2 in. L 12.9 in. W 6.2 in.

 4 lbs.



F White glass

 1x100W T10 HAL (Included)



<b>GLO-BALL BASIC 1</b>	
<b>DESIGN</b>	<b>JASPER MORRISON 1998</b>
Table/desk lamp with blown white glass diffuser supported by a silver base. In line dimmer switch on 10 ft. cord/plug.	
H 14.0 in.	Ø 12.9 in.(Diffuser) Ø 8 in.(Base)
	9 lbs.
	1x150W T10 HAL (included) 
	



<b>GLO-BALL BASIC 2</b>	
<b>DESIGN</b>	<b>JASPER MORRISON 1998</b>
Table/desk lamp with blown white glass diffuser supported by a silver base. In line dimmer switch on 10 ft. cord/plug.	
H 18.7 in.	Ø 17.7 in.(Diffuser) Ø 8 in.(Base)
	12 lbs.
	1x250W T10 HAL (included) 