

Fifty glass **EXTENSIBLE**

Designed by Ruggero Magrini and Bluezone

50mm. it is the distinguishing feature of Fifty. Extendible table with anodized aluminium frame and glass top. The extension device with two extensions, fitting into only 50mm, allows the top to be extended easily, while remaining perfectly stable. Also available in monochrome option.

Finish of frame:

- Anodised aluminium
- Aluminium with white lacquer
- Aluminium with anthracite grey lacquer
- Aluminium with black lacquer

Finish for external details/extensions:

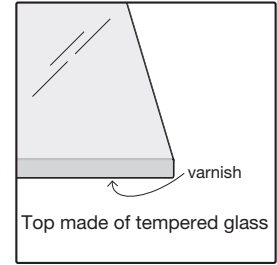
- Anodised aluminium
- Aluminium with white lacquer
- Aluminium with anthracite grey lacquer
- Aluminium with black lacquer

Finish of top:

- Gloss glass in standard colours: extra white, anthracite, black, titanium
- Gloss glass in RAL/NCS range colours on request
- Matt glass in colours: extra white, anthracite grey, black, titanium



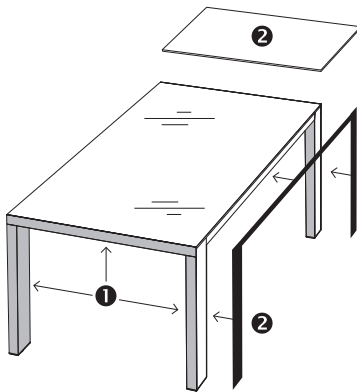
www.unicahome.com
1-888-89-UNICA



New "Infinity System": the Kristalia system that provides complete colour customization for the glass top.

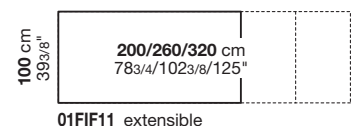
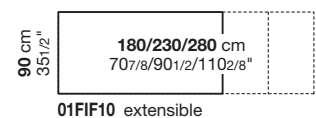
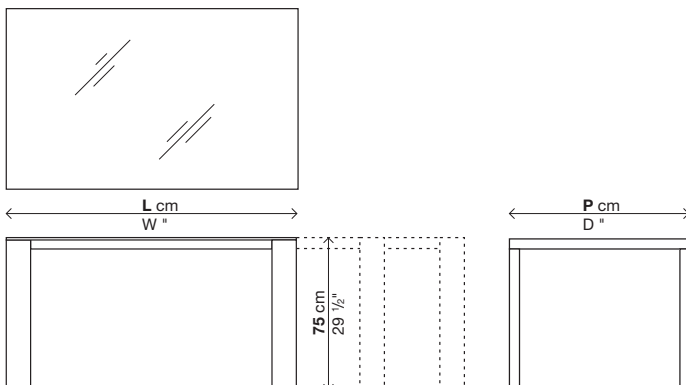
The colours of glass panels marked with grey (■) have longer delivery times: approximately 6 weeks from the order date.

Tables that extend to more than 250 cm have a top that slightly bends, which complies with accepted quality standards.



Code	Length (cm.)	Depth	Finish of frame	Finish external details/extensions	Finish of top	Vol.
01FIF10	180-230-280	90	aluminium	aluminium	gloss in standard gloss in RAL/NCS matt glass	0.23
				Aluminium lacquered: white, anthracite, black	gloss in standard gloss in RAL/NCS matt glass	
			Aluminium lacquered: white, anthracite, black	Aluminium lacquered: white, anthracite, black	gloss in standard gloss in RAL/NCS matt glass	
			Aluminium lacquered: white, anthracite, black	Aluminium lacquered: white, anthracite, black	gloss in standard gloss in RAL/NCS matt glass	
01FIF11	200-260-320	100	aluminium	aluminium	gloss in standard gloss in RAL/NCS matt glass	0.50
				Aluminium lacquered: white, anthracite, black	gloss in standard gloss in RAL/NCS matt glass	
			Aluminium lacquered: white, anthracite, black	Aluminium lacquered: white, anthracite, black	gloss in standard gloss in RAL/NCS matt glass	
			Aluminium lacquered: white, anthracite, black	Aluminium lacquered: white, anthracite, black	gloss in standard gloss in RAL/NCS matt glass	

Nr. packages 2



Fifty glass **FIXED**

Designed by Ruggero Magrini and Bluezone

50mm. it is the distinguishing feature of Fifty. Fixed table with anodized aluminium frame and glass top.

Finish of frame:

- Anodised aluminium
- Aluminium with white lacquer
- Aluminium with anthracite grey lacquer
- Aluminium with black lacquer

Finish for external details:

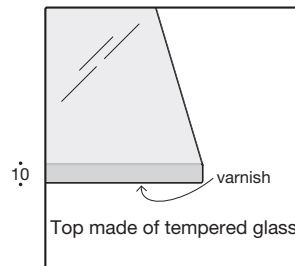
- Anodised aluminium
- Aluminium with white lacquer
- Aluminium with anthracite grey lacquer
- Aluminium with black lacquer

Finish of top:

- Gloss glass in standard colours: extra white, anthracite, black, titanium
- Gloss glass in RAL/NCS range colours on request
- Matt glass in colours: extra white, anthracite grey, black, titanium

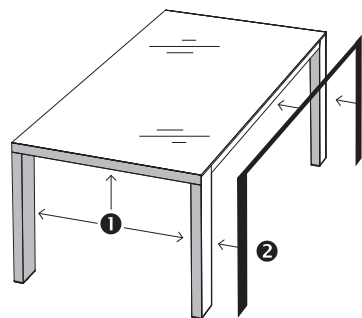


www.unicahome.com
1-888-89-UNICA



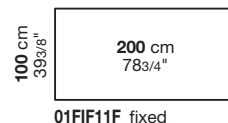
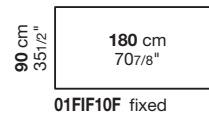
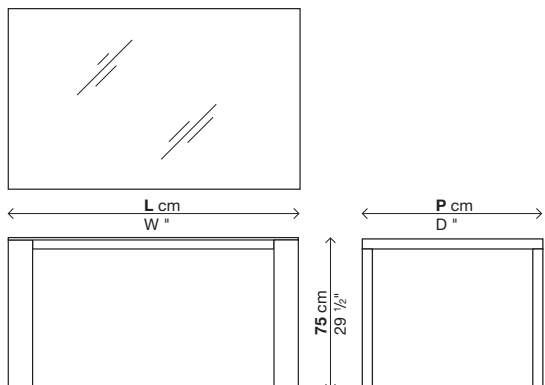
∞ New "Infinity System": the Kristalia system that provides complete colour customization for the glass top.

! The colours of glass panels marked with grey (■) have longer delivery times: approximately 6 weeks from the order date.



Code	Length (cm.)	Depth	Finish of frame	Finish for external details	Finish of top	Vol.
01FIF10F	180	90	aluminium	aluminium	gloss in standard gloss in RAL/NCS matt glass	0.23
				Aluminium lacquered: white, anthracite, black	gloss in standard gloss in RAL/NCS matt glass	
			Aluminium lacquered: white, anthracite, black	Aluminium lacquered: white, anthracite, black	gloss in standard gloss in RAL/NCS matt glass	
			Aluminium lacquered: white, anthracite, black	Aluminium lacquered: white, anthracite, black	gloss in standard gloss in RAL/NCS matt glass	
01FIF11F	200	100	aluminium	aluminium	gloss in standard gloss in RAL/NCS matt glass	0.50
				Aluminium lacquered: white, anthracite, black	gloss in standard gloss in RAL/NCS matt glass	
			Aluminium lacquered: white, anthracite, black	Aluminium lacquered: white, anthracite, black	gloss in standard gloss in RAL/NCS matt glass	
			Aluminium lacquered: white, anthracite, black	Aluminium lacquered: white, anthracite, black	gloss in standard gloss in RAL/NCS matt glass	

Nr. packages 2



Fifty wood

Designed by Ruggero Magrini and Bluezone

50mm. it is the distinguishing feature of Fifty. Extendible or fixed table with anodized aluminium frame, top and external details in wood veneer with wengé and grey oak finishes. The extension device with two extensions, fitting into only 50mm, allows the top to be extended easily, while remaining perfectly stable.

Frame finish:

Anodised aluminium

Aluminium with wengé lacquer

Aluminium with grey oak lacquer

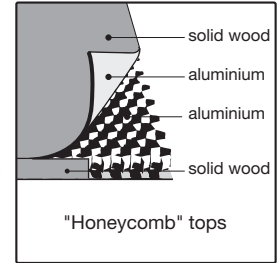
Finish for top/external details/extensions:

Wengé stained Oak

Grey Oak



www.unicahome.com
1-888-89-UNICA



Tables that extend to more than 250 cm have a top that slightly bends, which complies with accepted quality standards.

Extendible (↔)

Code	Length (cm.)	Depth	Finish of frame	Finish of top	Vol.
01FIF20	180-230-280	90	aluminium	wengé stained	0.42
				grey oak	
				wengé lacquer	
01FIF21	200-260-320	100	aluminium	wengé stained	0.50
				grey oak	
				wengé lacquer	
			grey oak lacquer	grey oak	

Nr. packages 2

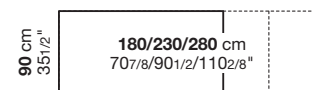
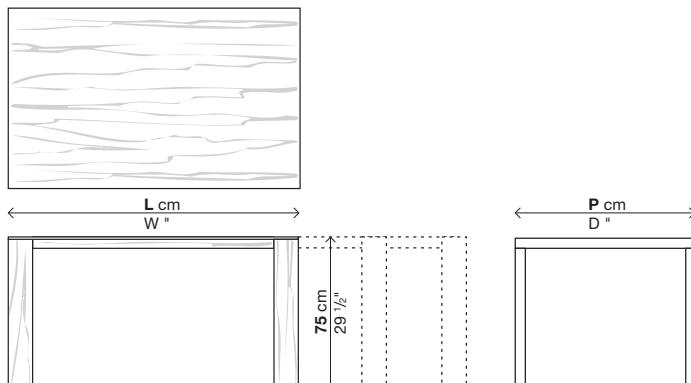
Fixed (||)

Code	Length (cm.)	Depth	Finish of frame	Finish of top	Vol.
01FIF20F	180	90	aluminium	wengé stained	0.42
				grey oak	
				wengé lacquer	
01FIF21F	200	100	aluminium	wengé stained	0.50
				grey oak	
				wengé lacquer	
			grey oak lacquer	grey oak	

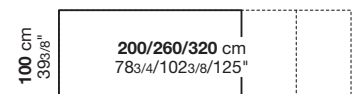
Nr. packages 2



www.unicahome.com
1-888-89-UNICA



01FIF20 extensible
01FIF20F fixed



01FIF21 extensible
01FIF21F fixed