

Droplet suspension

Ross Lovegrove 2008

"Droplet is a ceiling light that appears as a pool of liquid aluminum reflecting three light pebbles. It has been generated totally by digital means and freezes in time the act of ripples that cross each other to define reflective zones and acts as a form of liquid dichroic."

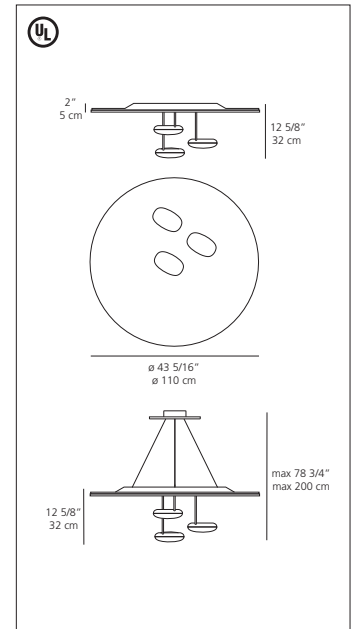
-Ross Lovegrove

Cable suspended luminaire for indirect halogen lighting.

- reflective units (pebbles) and stem in die-cast aluminum polished chrome finish
- disc in die-cast aluminum in glossy grey finish
- grey thermoplastic canopy with clear electrical cord and stainless steel cables
- mounting to standard electrical junction boxes



www.unicahome.com
1-888-89-UNICA



Droplet suspension

halogen source

• 3x200W (R7/T3) supplied.....

