

Pipe wall/ceiling

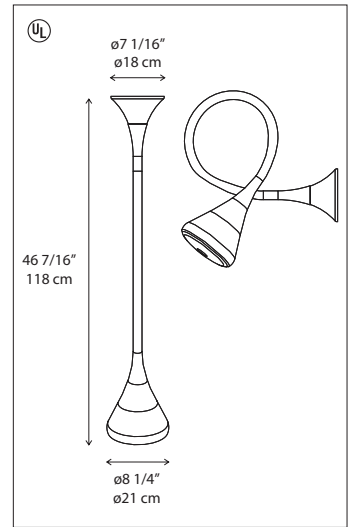
Herzog & de Meuron 2008

Wall or ceiling mounted luminaire for adjustable direct and indirect fluorescent lighting.

- body structure in flexible steel tube with grey lacquered finish, enclosed in a translucent white silicon sleeve
- diffuser in molded translucent white polycarbonate with an incorporated anti-glare reflector in specular aluminum with micro-perforations for side emission of thin beams of light
- mounting to standard electrical junction boxes



www.unicahome.com
1-888-89-UNICA



Pipe wall/ceiling

fluorescent source

- 1x32W (GX24q-3/T4) 