

Instruction manual:

- Please read these instructions carefully before the first use of the fireplace and keep the safety instructions for future reference
- To operate the fireplace we recommend only the use of blomus bio-ethanol (item code 31034)
- Please check the content of the box
- ATTENTION: Please check with your insurance company and landlord or local authorities for details and regulations before using the fireplace.

Included in delivery (see illustration 1-3):

- Fireplace body (A)
- Burner reservoir (B) with sliding cover and safety compartment
- Grill (C)
- Glass (D / only with fireplace no. 65185)
- Mounting bar unit (E)
- 2 screws (6 x 60) (F)
- 2 washers (G)
- 2 wall plugs (S8) (H)
- Controller Tool (I)
- Funnel (J)
- Measuring jug (K)
- Liquid fuel (L) (blomus 31034 Bio-Alcohol (ethanol), 1 Litre / 33,8 fl oz)
- Instruction manual and safety instructions

Safety instructions:

- The bio-ethanol-fire will use oxygen from the air inside the room where it is operated. The rooms should be well ventilated with enough oxygen and fresh air being supplied (i.e. open windows)

- When burning bio-ethanol water-vapour and carbon dioxide are produced.
- Never use the burner without the safety compartment.
- When ventilated, the room where the fireplace is operated in should not be smaller than 44 m³ / 1550 cuft (with an average ceiling height of 2,30 m / 8 ft, the room should be at least 20 m² / 215 sqft)
- It is not recommended to use more than one fireplace at a time in one room.
- As per TÜV test report the following data is valid:

Min. Room volume (m ³ /cuft)	Air change (1/h)	Comments
218 / 7700	0,2	Air change rate with windows closed
73 / 2580	0,6	With standard ventilation/slightly open windows
44 / 1550	1,0	Complete change of air within 1 hour /open windows

The following air change rates are averages: ¹⁾

Air change (1/h)	Comments
0 - 0,5	Windows, doors closed
0,3 - 1,5	Fenster gekippt, keine Rolläden
5 - 10	Windows halfway open

¹⁾ Recknagel, Sprenger, Schrameck: Heizung + Klimatechnik

- Never leave an open fire unattended at any time !
- CAUTION: Item gets hot while in operation. Do not touch the fireplace while burning. Please allow at least 15 minutes to cool down before touching the product after flame is extinguished.
- Never pour fuel into an open flame or into the burner reservoir unless it has cooled down for at least 15 minutes after use.
- The fireplace is not suitable for heating purposes.
- Do not store more than 5 litres / 1,3 gallons of flammable liquids in your apartment.
- Keep fuel containers closed tightly.
- Keep fuel away from children and animals.
- Fuel must not be exposed to direct heat such as direct sunshine or central heating.
- The burning reservoir must not be exposed to direct heat such as direct sunshine or central heating.
- Do not place any flammable material within 1 Meter / 40 inches around the fireplace. A safety distance of at least 2 meters / 80 inches should be kept from any window or curtain. Product should not be used with a mantle and shelving should be minimum of 1 Meter / 40 inches from the fireplace.
- CAUTION: Do not smoke while handling the fuel.
- Avoid draught in the room where the fireplace is operated.
- Avoid draught causing movements in the proximity of the fireplace as these might fan the flame.

Assembly:

- The fireplace must only be installed on a solid wall of non flammable material.
- Please remove all packaging and information material before assembly.
- We recommend a minimum distance of 60 cm / 23,6 inch between the floor and the opening of the burner reservoir (illustration 4)
- Mount the mounting bar unit (E) to the wall using the 2 screws (F), 2 washers (G) and wall plugs (H) supplied (illustration 5). On a wooden wall please mount the bar to wall studs. The supplied mounting hardware suits walls out of stone, brick and concrete. For all other walls (i.e. wooden), different mounting hardware should be used. Seek advice of your local hardware store if you are unsure which mounting hardware suits your wall.
- Attach the fireplace body (A) onto the mounting bar unit (E) (illustration 6)
- Insert the glass (D) into the intended slot. (illustration 7). (Fireplace 65185 only !)
- Install the safety compartment together with the burner reservoir (B) into the burning chamber of the fireplace body (A) (illustration 8). The opening of the burner reservoir must face to the front.
- Fit the grill (C) onto the burner (illustration 9)

Starting up:

- Open the cover of the burner reservoir (B) completely using the controller tool (I) (illustration 10)
- Fill the burner (B) with the fuel (L) up to the level marker (see illustration 10) using the measuring jug (K) and the funnel (J). (maximum filling for item 65174, 65185 and 65187: 0,9 ltr / 30 fl oz, for 65184 and 65186: 1,4 ltr / 47,3 fl oz)
- Spilled alcohol must be removed with an absorbant tissue and cleaned with water to prevent ignition outside the burner reservoir.
- CAUTION: Spilled alcohol may lead to matt stains on parquet flooring
- ATTENTION: The fuel should be stored at room temperature to facilitate its ignition.
- CAUTION: Fuel must be kept in safe distance (min. 1 m / 40 inch) to the fireplace. Do not place fuel in front of the fireplace.
- Dip the prongs of the controller tool (I) into the filled reservoir and light the moistened prongs with a sticklighter. Keep a safe distance to the reservoir.



- Transfer the burning controller tool (I) to the ethanol reservoir. Use caution and keep the length of the tool as a safety distance.
- In case the flame does not ignite, please repeat the ignition process until the flame burns steadily.
- Fuel will burn low at first. Please allow 15 minutes to reach the optimum temperature and flame height. The flame then can be adjusted by opening or closing the sliding cover on the reservoir with the controller tool (see illustration 10)
- Adjust the flame to prevent it from hitting the upper end of the burning chamber (10-15 cm / 4-5 inch distance)

Refill:

- CAUTION: Never pour fuel into the burning flame!
- CAUTION: Allow the burner to cool down for at least 15 minutes before refilling. Do not pour fuel into the hot burner!
- To refill, follow instructions above

Extinguish:

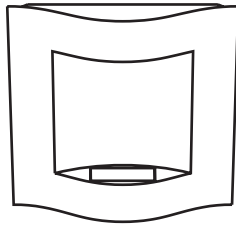
- CAUTION: Never extinguish the flame with water!
- Let the fuel burn out completely if possible. This prevents alcohol odours left in the reservoir and deflagration when reigniting.
- If you wish to extinguish the flame before the fuel has completely burned out, please use the controller tool to fully close the opening of the reservoir and wait until the flame is extinguished. Wait approximately 30 minutes until the burner has reached room temperature. Only then dispose of the remaining fuel.
- In case the flame is not extinguished immediately, please close the cover and wait app. 10-15 minutes to allow the flame to cool down. Repeat the above instruction until the flame is fully extinguished.

Maintenance / Care instructions:

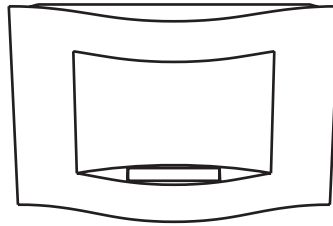
- The burner must be cleaned regularly. Use warm water and washing-up liquid.
- Marks can be best removed with a soft cloth and a mixture of lukewarm water and a small amount of cleaning liquid (ph-neutral). We recommend to clean the stainless steel item regularly to prevent contamination.
- To seal the surface we recommend our blomus stainless steel maintenance spray. This creates a dirt-deflecting protective film and works preventing against scaling.
- CAUTION: Never use chemicals like white spirits, turpentine or fuel. Do not use Steel-wool or scrubbing sponges either. The surface can be scratched by these. The manufacturer can not be held responsible for any damages resulting out of false use and / or cleaning of the product.



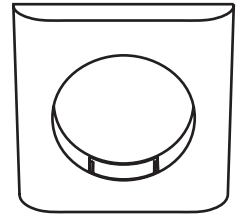
Fireplace



65174



65184

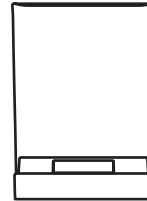


65185

Fireplace Body A

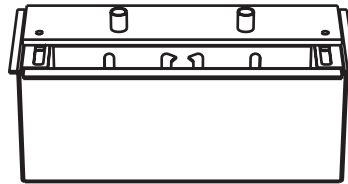


65186



65187

Burner B



Grill C



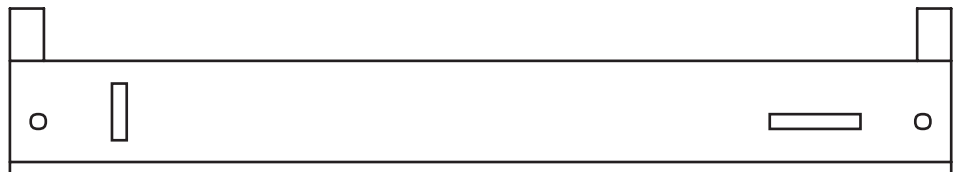
Glass D (Fireplace 65185 only)



Illustration 1

Mounting Hardware

Mounting Bar Unit E



Screws F



Washers G



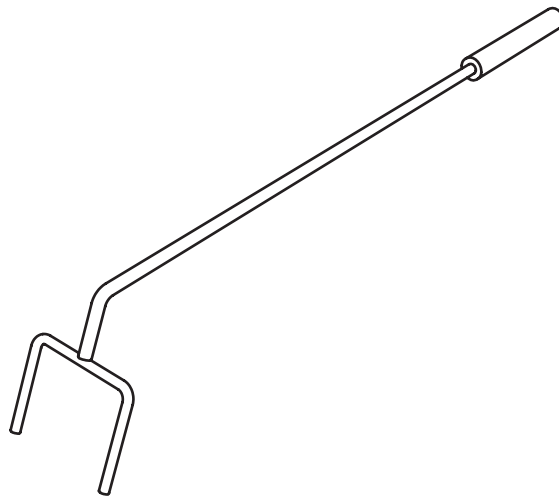
Wall Plugs H



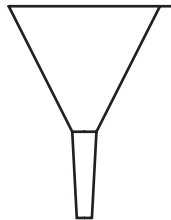
Illustration 2

Accessories

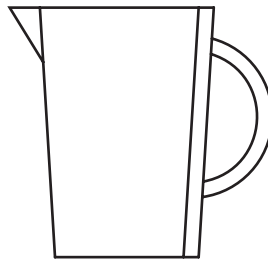
Controller Tool I



Funnel J



Measuring Jug K



Fuel L

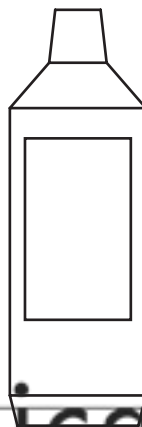


Illustration 3

Mounting Height

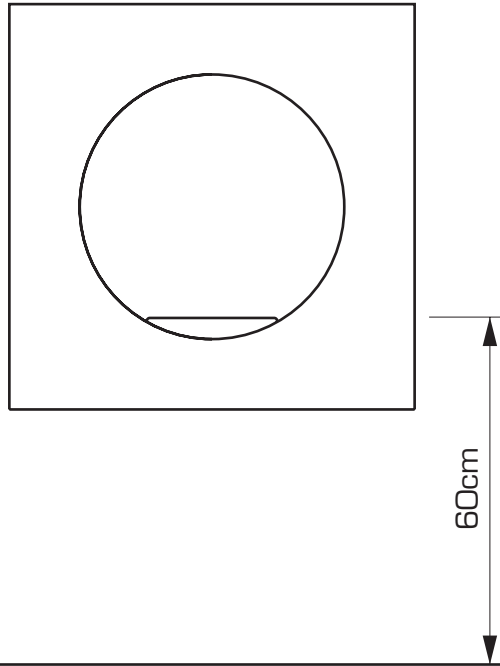


Illustration 4

Mounting of Hardware

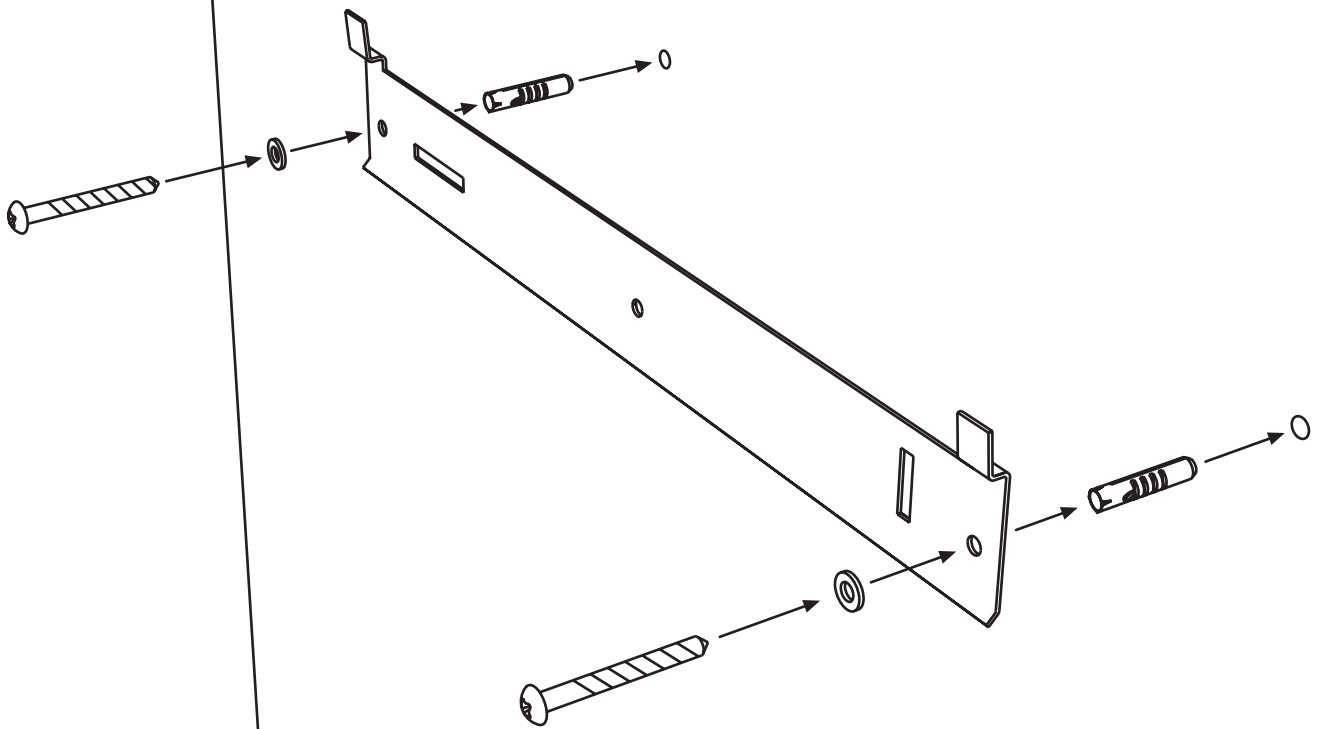


Illustration 5



Installation of Fireplace Body

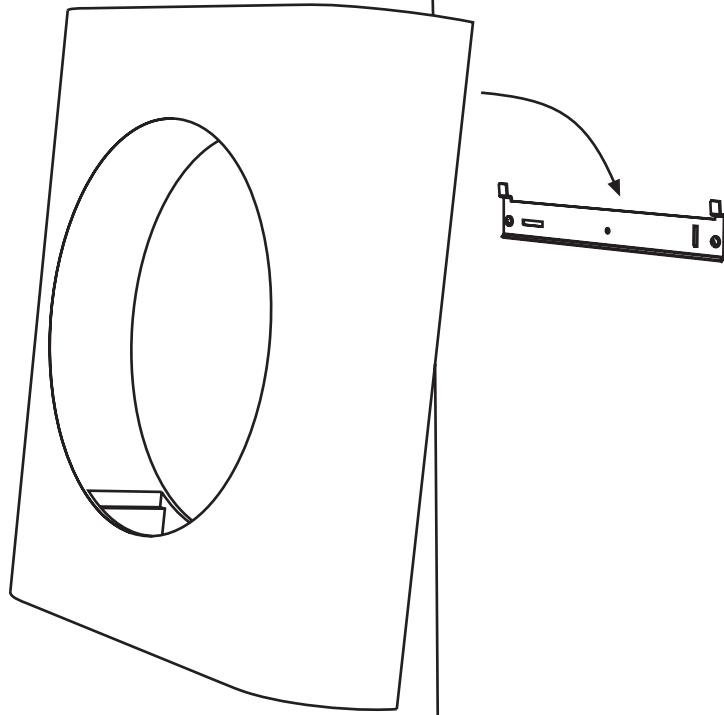


Illustration 6

Installation of the Glass (Fireplace 65185 only)

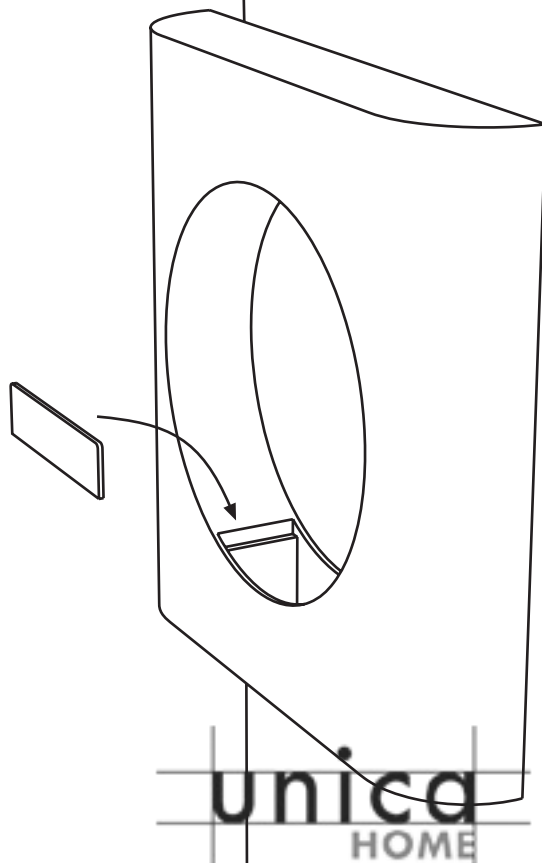


Illustration 7

Installation of the Burner

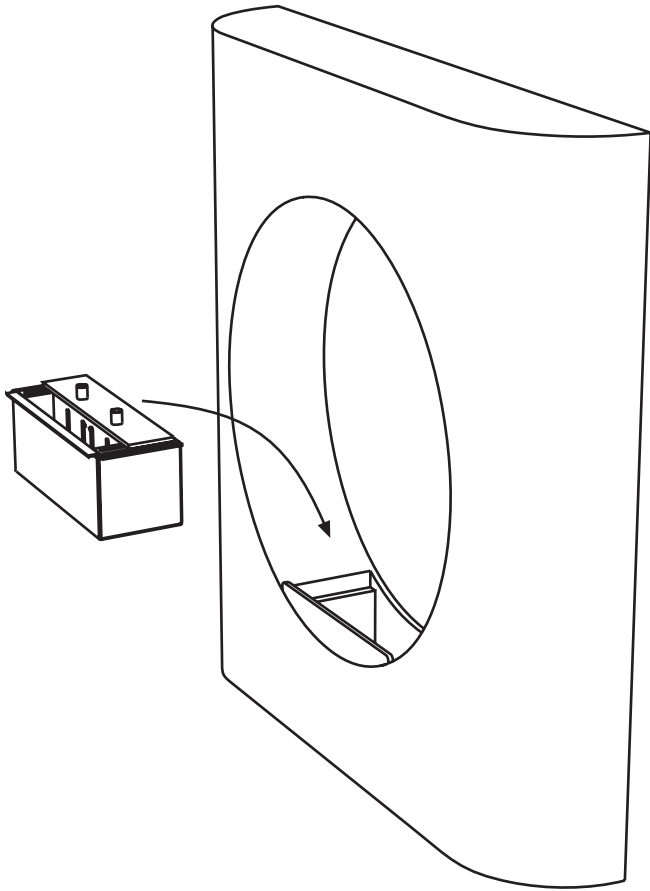


Illustration 8

Installation of the Grill

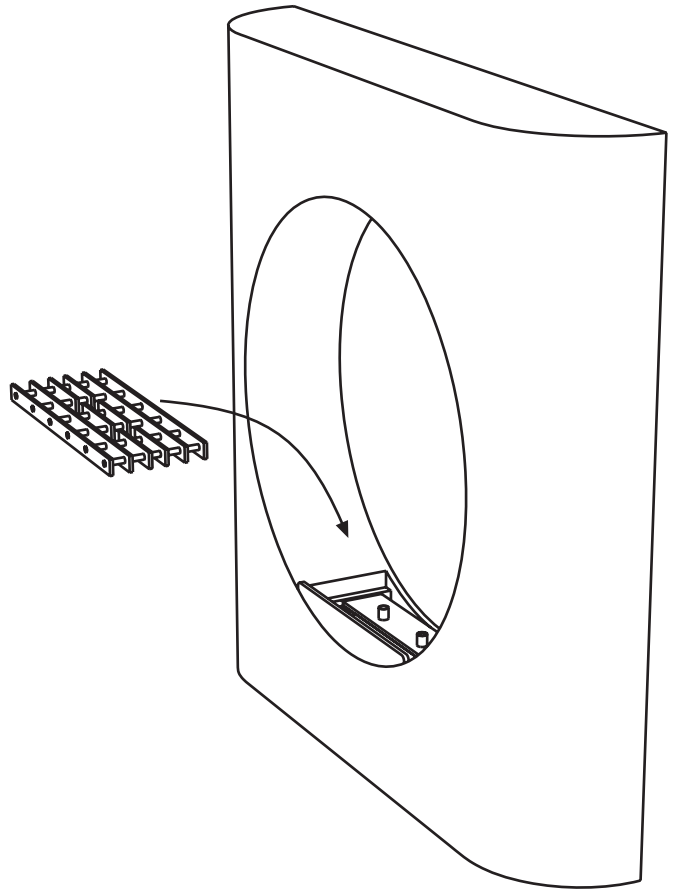


Illustration 9

Burner

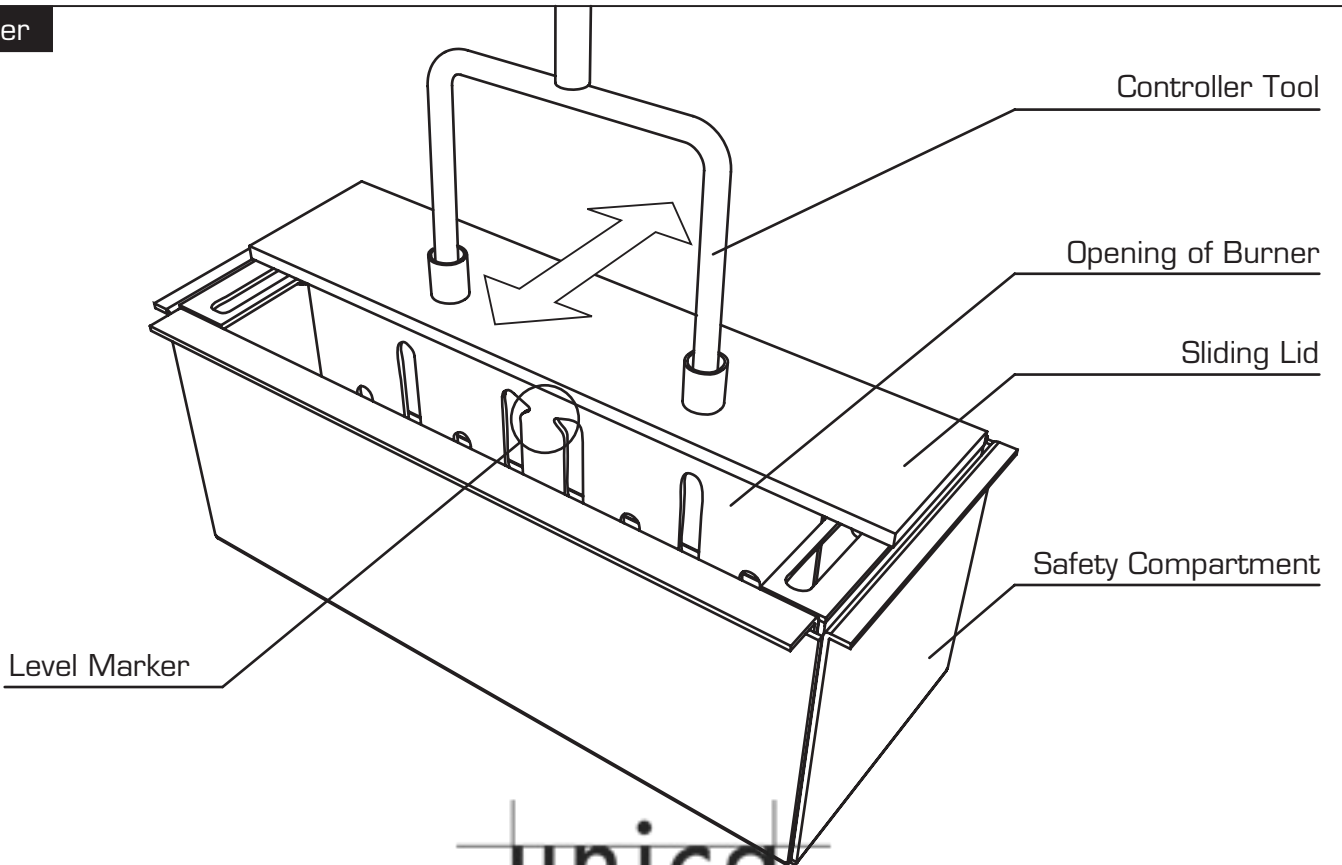


Illustration 10

