

## de-light | illuminated doorbell button

Clean lines and contemporary materials make the de-light doorbell button suitable for any environment. It is constructed of durable polycarbonate and surface mounts without any visible screws. This button is ideal for condominium, apartment, residential and commercial use.

All sp0re doorbell buttons work with standard doorbell systems.

Applications include call buttons, interactive displays, garage doors, home automation, security systems or as low voltage decorative light points. sp0re buttons are customizable from finish to function. sp0re is glad to assist with your custom needs!

**Design:** Tom Gordon and Ted Pierson, 2002. Patents pending.

**Model:** DB0-(color choice)

**Colors:** Amber (A), Blue (B), Green (G), Red (R), White (W)

**Power Required:** 8-16 Volts AC or 6-12 Volts DC. (custom voltage is possible)

**Power Consumption:** Less than 1 Watt.

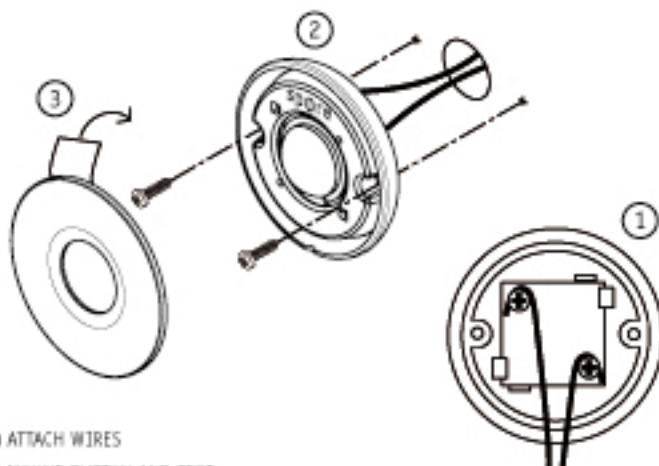
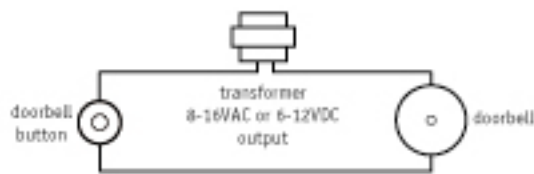
**Light Source:** Illumination is provided by LED's that produce light in colors of the specific button. The LED's will normally last over 100,000 hours or 11 years!

**Switch:** Momentary, normally open.

**Hardware:** The button is created by injection molding clear polycarbonate resin. There is an internal domed diffuser to create a soft inviting glow. The faceplate is formed satin finish anodized aluminum. Mounting screws are provided.

**Note:** sp0re recommends using a mechanical door buzzer or doorbell, especially ours! For more details on installation see our information sheet on typical doorbell systems at [www.sp0reinc.com/faqs.html](http://www.sp0reinc.com/faqs.html).

### Typical Doorbell System:



- 1 ATTACH WIRES
- 2 MOUNT BUTTON AND TEST
- 3 REMOVE ADHESIVE LINER AND INSTALL FACEPLATE



Blue



Amber



Green



Red



White

