
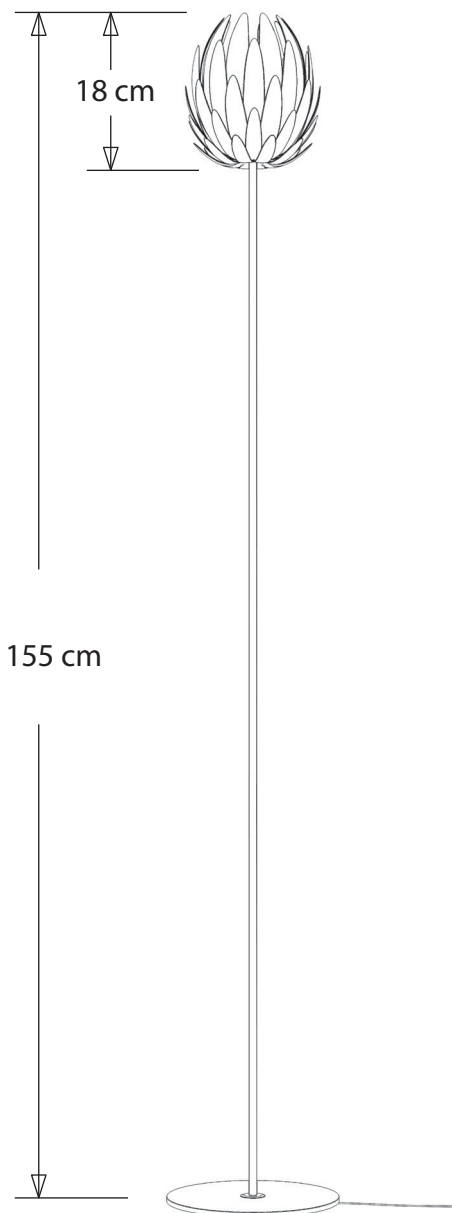




| | | |
|-----------------------|---------------------------------------------------------------------------------------|------------------------------------------------------|
| designed by: | Janne Kyttanen | |
| type: | floor lamp | |
| model no.: | | |
| colour available: | shade (SLS): white shade (SLA): indian red, winered | |
| total net weight: | 298  | |
| general dimensions | Total length: 155cm shade: H 18cm, Ø 16,4cm | |
| model type available: | mini table vers., table vers., floor vers. | |
| package contains: | 1 shade, 1 transformer 12V+dimmer, 1 metal base, 2M cable, halogen 50W | |
| | MGX data file on cd | |
| | | |
| technology: | SLS (Selective Laser Sintering) & SLA (Stereolithography) | |
| material: | shade (SLS): polyamide (nylon), shade (SLA): epoxy | |
| | foot: stainless steel | |
| | pole: messing (chrome coated) | |
| CE | CE conformity, licence 13982C decorative portable and fixed luminaires. | |
| | EN 60598-1:2000 +A11:2000, NBN EN 60598-1: 2000+A1:2001+A2:2002 | |
| | rating: | 240 Vac, 50 Hz, Class II, IP 20 ,12V (incl. transfo) |
| | lamp type: | halogen 12V GY6,35 - Max 50W |
| | available plugs: | australian, european, british, italian,... |
| UL - cUL | UL conformity license: Listed 102979-001 Use in dry location | |
| | mounted electric luminaires, susp.: E241112 - UL 1598. CSA C22.2 no 250 | |
| | portable electric luminaires: E254046 - UL 153. CSA C22.2 no12 | |
| | rating: | 120V, 60Hz, 12V (incl. transfo) |
| | lamp type: | Xelogen T3, 12V G4-20W Max (supplier www.thhc.com) |
| | available plugs: | american |
| maintenance: | SLS: easily remove stains with water & clear soap SLA: normal | |
| .MGX trademark: | 852494 | |

general dimension:

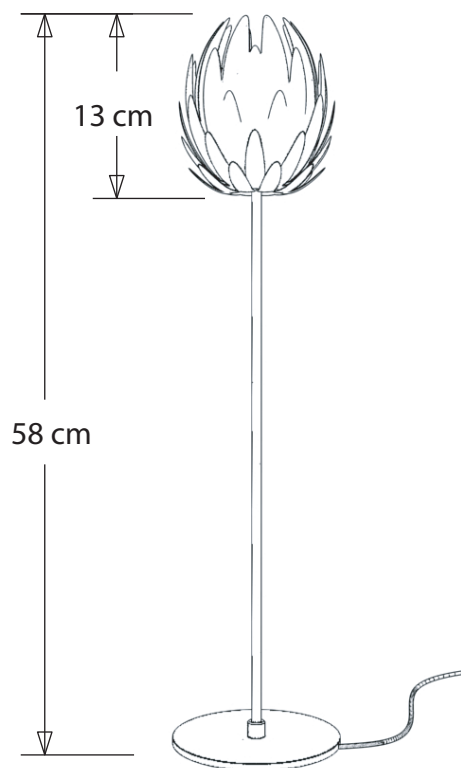


www.unicahome.com
1-888-89-UNICA



| | |
|-----------------------|-------------------------------------------------------------------------|
| designed by: | Janne Kyttanen |
| type: | table lamp |
| model no.: | |
| colour available: | shade (SLS): white shade (SLA): indian red, winered |
| total net weight: | 119 |
| general dimensions | Total length: 58 cm shade: H 13cm, 11.8Ø cm |
| model type available: | mini table vers., table vers., floor vers. |
| package contains: | 1 shade, 1 transformer 12V+dimmer, 1 metal base, 2M cable, halogen 20W |
| | MGX data file on cd |
| | |
| technology: | SLS (Selective Laser Sintering) & SLA (Stereolithography) |
| material: | shade (SLS): polyamide (nylon), shade (SLA): epoxy |
| | foot: stainless steel, pole: messing (chrome coated) |
| | |
| CE | CE conformity, licence 13982C decorative portable and fixed luminaries. |
| | EN 60598-1:2000 +A11:2000, NBN EN 60598-1: 2000+A1:2001+A2:2002 |
| | rating: 240 Vac, 50 Hz, Class II, IP 20 , 12V (incl. transfo) |
| | lamp type: halogen 12V GY6,35 - Max 20W |
| | available plugs: australian, european, british, italian,... |
| UL - cUL | UL conformity license: Listed 102979-001 Use in dry location |
| | mounted electric luminaires, susp.: E241112 - UL 1598. CSA C22.2 no 250 |
| | portable electric luminaries: E254046 - UL 153. CSA C22.2 no12 |
| | rating: 120V, 60Hz, 12V (incl. transfo) |
| | lamp type: Xelogen T3, 12V G4-20W Max (supplier www.thhc.com) |
| | available plugs: american |
| maintenance: | SLS: easily remove stains with water & clear soap , SLA: normal |
| .MGX trademark: | 852494 |

general dimension:





| | |
|-----------------------|-------------------------------------------------------------------------|
| designed by: | Janne Kyttanen |
| type: | mini table |
| model no.: | |
| colour available: | shade (SLS): white shade (SLA): indian red, winered |
| total net weight: | 119 |
| general dimensions | Total length: 15 cm shade: H 13cm, 11.8Ø cm |
| model type available: | mini table vers., table vers., floor vers. |
| package contains: | 1 shade, 1 transformer 12V+dimmer, 1 metal base, 2M cable, halogen 20W |
| | MGX data file on cd |
| | |
| technology: | SLS (Selective Laser Sintering) & SLA (Stereolithography) |
| material: | shade (SLS): polyamide (nylon), shade (SLA): epoxy |
| | foot: stainless steel |
| | pole: messing (chrome coated) |
| CE | CE conformity, licence 13982C decorative portable and fixed luminaires. |
| | EN 60598-1:2000 +A11:2000, NBN EN 60598-1: 2000+A1:2001+A2:2002 |
| | rating: 240 Vac, 50 Hz, Class II, IP 20 ,12V (incl. transfo) |
| | lamp type: halogen 12V GY6,35 - Max 20W |
| | available plugs: australian, european, british, italian,... |
| UL - cUL | UL conformity license: Listed 102979-001 Use in dry location |
| | mounted electric luminaires, susp.: E241112 - UL 1598. CSA C22.2 no 250 |
| | portable electric luminaires: E254046 - UL 153. CSA C22.2 no12 |
| | rating: 120V, 60Hz, 12V (incl. transfo) |
| | lamp type: Xelogen T3, 12V G4-20W Max (supplier www.thhc.com) |
| | available plugs: american |
| maintenance: | SLS: easily remove stains with water & clear soap, SLA: normal |
| .MGX trademark: | 852494 |

general dimension:

