

Model: Ceiling/ Wire-In-Kit

For ceiling Akari there are two options that are available:

(a) Hardwire Kit:

For ceiling box that includes: a round white canopy, 5 feet of white drop cord, socket, etc.

Determine the desired height for the shade. Cut and discard extra cord.

Run cord through the threaded nut, ceiling cover, threaded connector, and bracket in that order.

Connect white/ black cord wires to wires in ceiling box. Connect bracket to ceiling box with screws (not provided), connect threaded connector to bracket. Install ceiling cover, and tighten nut onto threaded connector.

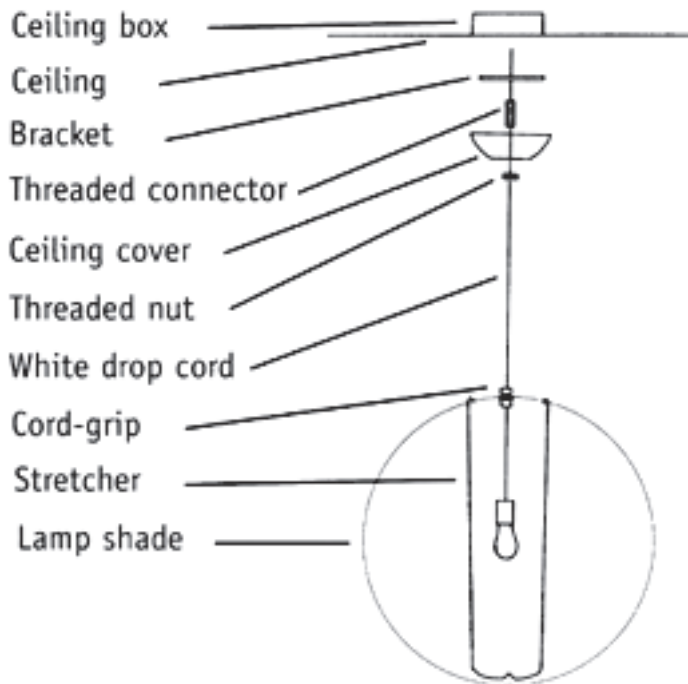
Slide cord-grip into position on drop-cord such that when stretcher is attached and the shade installed, the lamp will be centered in shade.

Attach stretcher to drop-cord by snapping loop on stretcher into groove in cord-grip.

Install shade by pulling and extending over stretcher. Insert stretcher points into corresponding loops on top shade ring.

Lamp wattage: Maximum: 75 watts (with brass socket) 150 watts (for large globes, with porcelain socket).

Hardwire Kit:



(b) Wall-Outlet Swag Kit:

12 feet of black cord, socket, grommet, on-off switch and 2 swag hooks.

Using the screws and plastic anchors provided, install one swag-hook on the ceiling where you want the lamp to hang. Install the other sag hook on the ceiling close to the wall, above the outlet you want to plug into.

Clip the drop-cord into the swag hooks starting with the one closest to the lamp.

Slide the cord-grip into position so that when stretcher is attached and shade is installed, the light bulb will be centered in the shade.

Attach stretcher to drop-cord by snapping loop on stretcher into groove in cord-grip.

Install shade by pulling and extending over stretcher. Insert stretcher points into corresponding loops on top shade ring.

Lamp wattage: Use recommended lamp wattage from the shade model you are installing.

Wall-Outlet Swag Kit

