

# TOLOMEO SUSPENSION OFF-CENTER

M. DE LUCCHI - G. FASSINA • 2000

CEILING SUSPENDED LUMINAIRE FOR ORIENTABLE DIRECT INCANDESCENT LIGHTING. DEVELOPED TO OFFER MAXIMUM FLEXIBILITY OF ADJUSTMENT IN THE POSITIONING OF THE LIGHT SOURCE OVER THE TABLE/TASK/DESK SURFACE, REGARDLESS OF THE LOCATION OF THE CEILING ELECTRICAL FEEDING BOX.


- UTILIZES THE TOLOMEO FULLY ARTICULATED AND ADJUSTABLE BODY STRUCTURE
- CONSTRUCTION IN POLISHED EXTRUDED AND DIE-CAST ALUMINUM (REFER TO PAGE 14 FOR SPECIFICATIONS)
- ROTATABLE CEILING SUPPORTING CANOPY IN ANODIZED MATTE ALUMINUM
- AVAILABLE WITH DIFFUSER IN:
  - ANODIZED MATTE ALUMINUM
  - PARCHMENT PAPER
  - RING FOR EXPOSED REFLECTOR LAMP

## INCANDESCENT SOURCES

- ALUMINUM/PARCHMENT PAPER DIFFUSERS

1 X 100W (E26/A19W) \_\_\_\_\_

- OPEN RING

1 X 100W (E26/RE) \_\_\_\_\_ 

FOR TOLOMEO TABLE, FLOOR WALL, TRACK AND CLIP VERSIONS REFER TO PAGES 14, 50, 104, 105, 106 AND 107



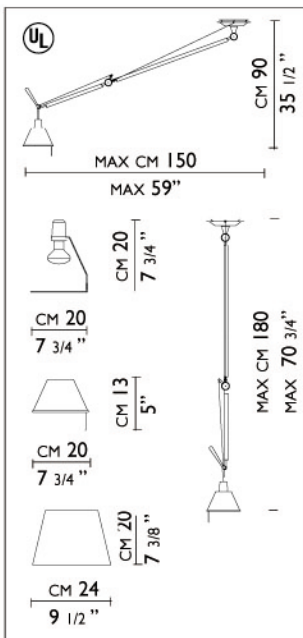
PARCHMENT PAPER DIFFUSER



RING



ALUMINUM DIFFUSER



unica  
HOME  
www.unicahome.com  
1-888-89-UNICA