



ROBBIA FULL/HALF

ENNIO PASINI • 1990





WALL MOUNTED LUMINAIRES FOR DIFFUSED INCANDESCENT OR FLUORESCENT LIGHTING.

- DIFFUSER IN WHITE OPALINE HAND-BLOWN GLASS OR IN WHITE THERMOFORMED IMPACT RESISTANT PLEXIGLASS
- SIDE MOUNTING DETAIL FASTENERS IN BLACK PAINTED AND CHROMED STEEL (OPTIONAL TOTAL CHROME OR TOTAL BRASS FASTENERS)
- WALL MOUNTING TO 4" OCTAGONAL JUNCTION BOX WITH HORIZONTAL CENTER LINE 2 1/8" BELOW TOP OF LUMINAIRE (HALF) AND CENTERED ON LUMINAIRE (FULL)

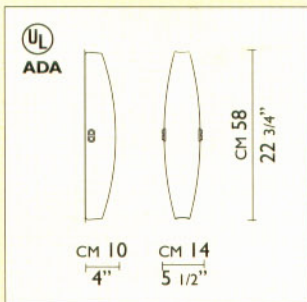
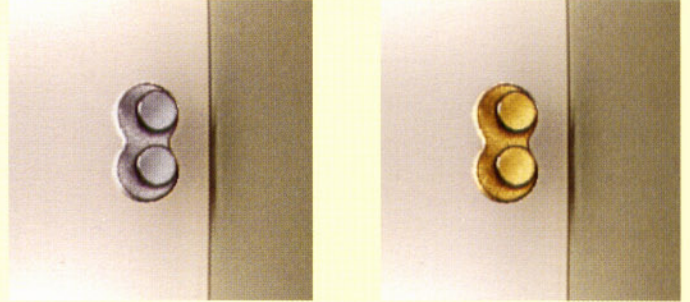
INCANDESCENT SOURCE

- FULL GLASS - 2X100W (A19W) 
- HALF GLASS - 1X100W (A19W) 

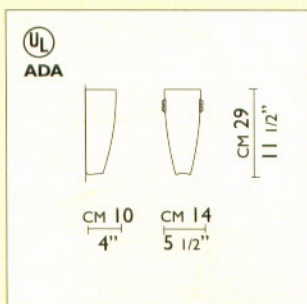
COMPACT FLUORESCENT SOURCE

- FULL GLASS
2X13W (GX23) 
- FULL GLASS
2X18W (G24d-2) 
- HALF GLASS
1X13W (GX23) 
- HALF GLASS
1X18W (G24d-2) 
- FULL PLEXI
2X13W (GX23) 
- HALF PLEXI
1X13W (GX23) 

OPTIONAL DIFFUSER FASTENER IN TOTAL CHROME OR BRASS PLATED FINISH



ROBBIA FULL



ROBBIA HALF