



DIOSCURI 25-35

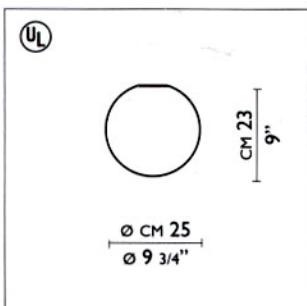
MICHELE DE LUCCHI • 1999

CEILING/WALL MOUNTED LUMINAIRE FOR DIFFUSED INCANDESCENT LIGHTING. U.L. LISTED FOR WET LOCATIONS AND SUITABLE FOR INDOOR AND OUTDOOR APPLICATIONS.

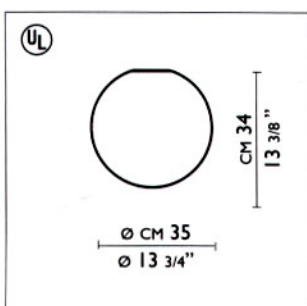
- A MINIMALISTIC DESIGN FEATURING A CLASSIC, SIMPLE GLOBE AND THE TOTALLY HIDDEN SUPPORTING STRUCTURE
- GLOBE DIFFUSER IN ETCHED WHITE HANDBLOWN GLASS, AVAILABLE IN TWO SIZES: 25(10") AND 35(14")
- TOTALLY CONCEALED MOUNTING PLATE IN WHITE POLYCARBONATE, MOUNTING TO STANDARD ELECTRICAL JUNCTION BOXES

INCANDESCENT SOURCE

- DIOSCURI 25(10")
1X100W (E26/A19 WHITE) 
- DIOSCURI 35(14")
1X150W (E26/A21 WHITE) 



DIOSCURI 25



DIOSCURI 35

