

TITANIA

Alberto Meda, Paolo Rizzatto 1989

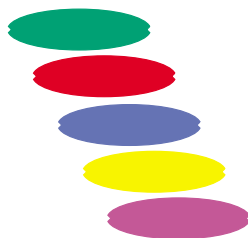
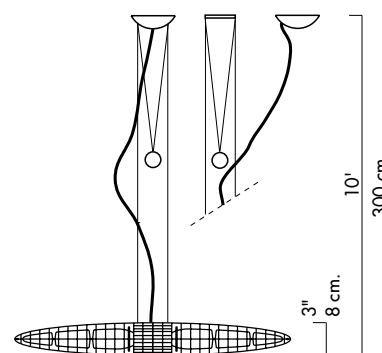
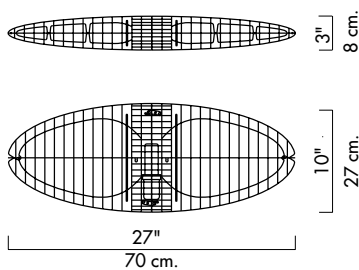
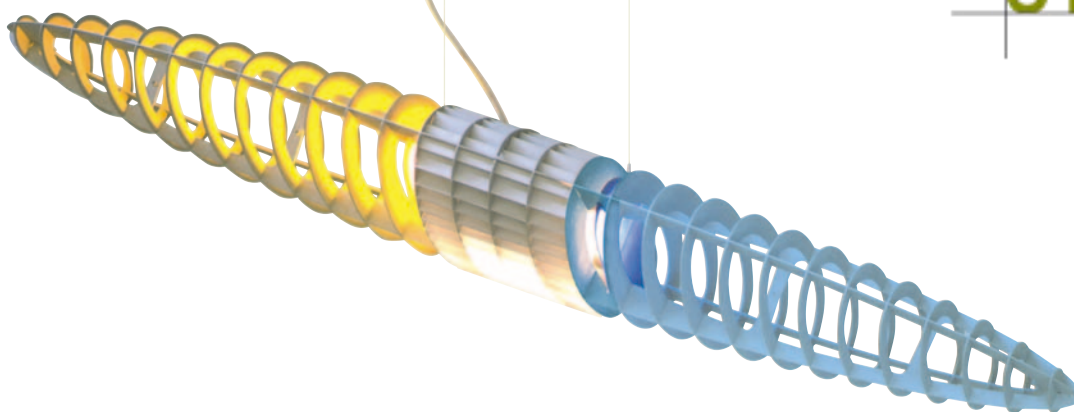
Lampe d'or SIL/Paris: special mention 1990.
XVI Compasso d'Oro, ADI/Milano: selection 1991

SUSPENSION

White rosette.
Lamellar shell in aluminum and counterweight in lead.
Finishes: natural aluminum.
Five pairs of interchangeable filters in polycarbonate silkscreened in green, red, blue, yellow and violet, determine the different colourings of the lamellar shell, while continuing to emit a white light.



D17



250W T-10
halogen/frosted
medium base
DOUBLE ENVELOPE

